

## TERMINAL BLOCK

# 15XX DJ

Replace XX with 02, 04, 06, 08 or 12 for number of poles  
Connector is Removable



## Wire Range

- #10 - #22 AWG Copper Solid

## Electrical Ratings

- Amps
  - 30 Amps (unprepared wire)
  - 75 Amps (when wired with crimp type ring, spade or fork terminal)
- 600 Volts AC/DC (UL 1059 Class C, User Group - General Industrial)
- Short Circuit Current Rated for 10,000 Amps
- Factory & Field Wiring

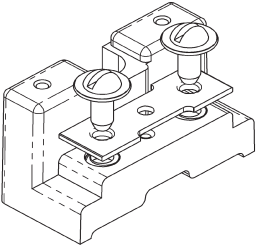
## Agency Compliance

- UL Recognized, UL 1059 Terminal Block Standard, File No. XCFR2.E62806
- CSA - certified to C22.2 No. 158, File No. LR19766
- CE compliant to IEC 60947-7-1
- RoHS Compliant

## Material Information

- Connector: Brass, nickel plated
- Insulator base:
  - Phenolic
  - Flammability rating of insulator base: UL 94 V-0
  - Insulator base temperature rating: -40°C to 150°C (UL RTI)
- Terminal Screws: Plated Brass
- Marking Strips: Vinyl (White)
- Anchor screws: Steel, zinc plated

## Termination Specifications

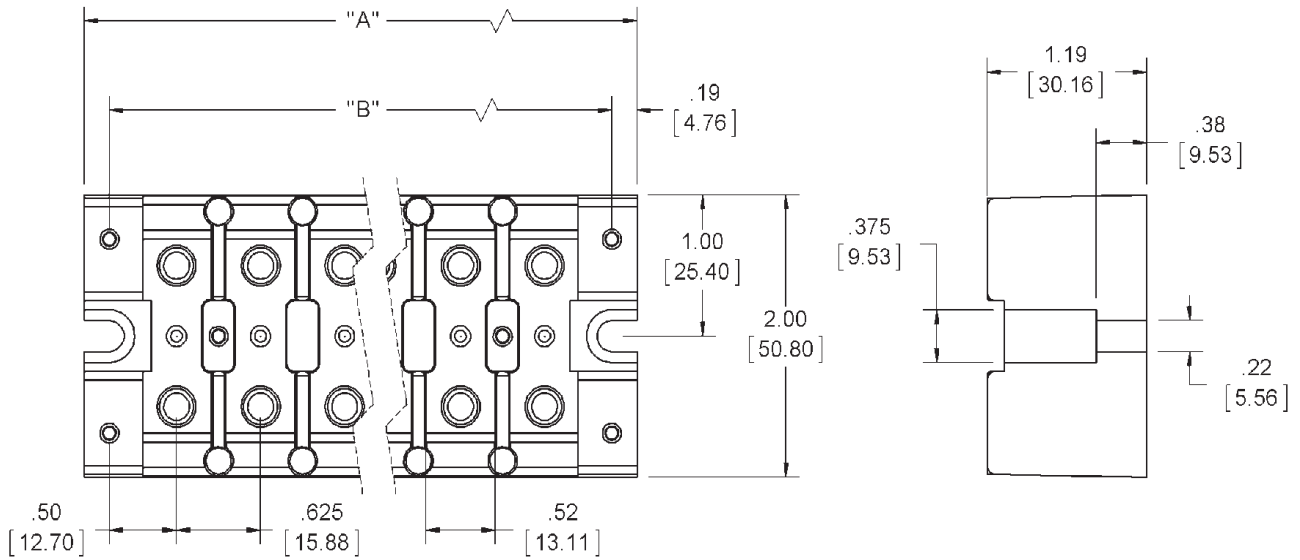
|                                                                                   |                                  |           |               |
|-----------------------------------------------------------------------------------|----------------------------------|-----------|---------------|
|  | Wire Range/ Terminal Type        | Torque    | Max Lug Width |
|                                                                                   | #10 - 22 AWG                     | 20 in-lbs | N/A           |
|                                                                                   | Listed Lug, Ring, Fork Terminals | 20 in-lbs | .50"          |

## Installation & Accessories

- Mounting
  - For use with #10 fastener
  - Recommended mounting torque not to exceed 25-30 in lbs
- Jumper
  - MCJ (Multi-Circuit Jumper) Bar Available: Only sold separately and the marking strip must be removed to assemble MCJ bar on part.
- Cover
  - Clear cover: Thermoplastic, UL Recognized QMFZ2 - order CC 15XX (XX representing number of poles).
- Printed Marker Strips - Consult factory for custom printed applications

|          |           |           |           |           |
|----------|-----------|-----------|-----------|-----------|
| STYLE 01 | A         | B         | C         | D         |
| Example  | 1 2 3 4 5 | 5 4 3 2 1 | 1 2 3 4 5 | 5 4 3 2 1 |

Drawing



| Catalog # | # of Poles | A    | B    |
|-----------|------------|------|------|
| 1504      | 4          | 3.25 | 2.88 |
| 1508      | 8          | 4.50 | 4.12 |
| 1508      | 8          | 5.75 | 5.38 |
| 1512      | 12         | 8.25 | 7.88 |